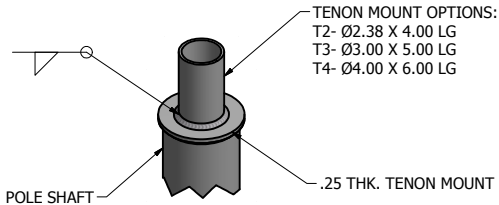
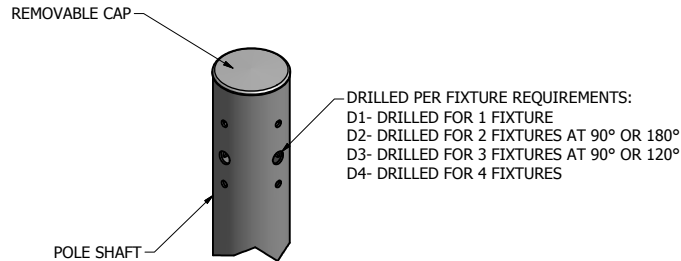


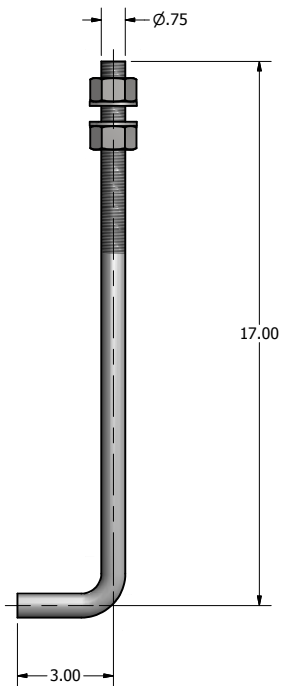
POLE DETAIL



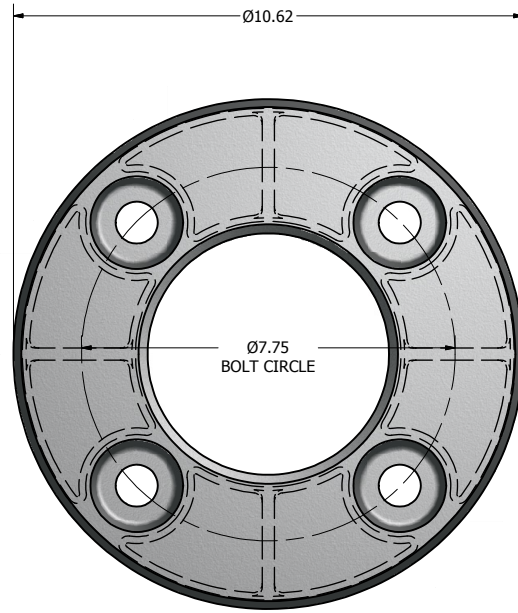
TENON MOUNT OPTIONS



DRILL MOUNT OPTIONS



Ø.75 X 20.00 ANCHOR BOLT



Ø10.62 X 1.88 THK. BASE CASTING

POLE SHAFT SPECIFICATIONS					
NO.	COMPONENT	MAT'L DESIGNATION			
1.	POLE SHAFT	6063-T6			
2.	BASE PLATE	A356-T6			
3.	ANCHOR BOLTS	F1554 GR. 55			
4.	GALVANIZED HARDWARE	A153			
POLE DIMENSIONS					
POLE HGT. (FT.)	TOP DIA. (IN.)	BOTTOM DIA. (IN.)	GAGE	MTG. HGT. (FT.)	
20'	5.00	5.00	.188	20'	
BASE PLATE DIMENSIONS					
BOLT CIRCLE (IN.)	BASE PLATE DIM. (IN.)	BOLT HOLE (IN.)	PLATE THK. (IN.)		
7.75	10.62 DIA.	.88	.75		
ANCHOR BOLT DIMENSIONS					
ANCHOR BOLT DIA. (IN.)			ANCHOR BOLT LENGTH (IN.)		
.75			20.00		
ALLOWABLE WIND LOADING (SQ. FT.)					
WIND*	INDICATED EPA	80 MPH	90 MPH	100 MPH	120 MPH
EPA	-	8.2	6.0	4.1	2.5

*WITH 1.3 GUST FACTOR

SOME GEOGRAPHICAL AREAS HAVE SPECIAL WIND CONDITIONS THAT CAN CREATE WIND INDUCED VIBRATIONS CAUSING A FATIGUE PROBLEM. NO METHOD HAS YET BEEN FOUND FOR PREVENTING OR REDUCING THESE VIBRATIONS. POLE FABRICATORS ARE REQUESTED TO CHECK WITH THE USER TO DETERMINE IF SPECIAL WIND CONDITIONS ARE REQUIRED. CANNOT BE GUARANTEED AGAINST, AND ARE THE RESPONSIBILITY OF A LOCAL SITE ENGINEER.

TITLE: _____

CATALOG: _____

DWG NO: **CPA-4-5018-20-B1CS** SIZE: **C** SHEET 1 OF 1

23171 Groesbeck Hwy.
Warren, MI 48089
P: (586) 774-6105 | F: (586) 774-5706
www.generalstructuresinc.com

GENERAL STRUCTURES INC.
A DOW COMPANY

3/17/2015

CHECKED: _____ DATE: _____

REVISION: _____

APPROVED: _____

QUOTE: _____

S.O.# _____

REF: _____ SCALE: NONE

180°
270° 0° 90°
HANDHOLE